

Car Stereo Service Bulletin

CSA-14

Sony Service Company - Technical Services
A Division of Sony Electronics Inc.
Sony Drive, Park Ridge, New Jersey 07656

Model: GEN-CAR; XA-10B

No. 266R1

Subject: Discs Jam When Being Returned To Magazine.

Date: April 1, 1996

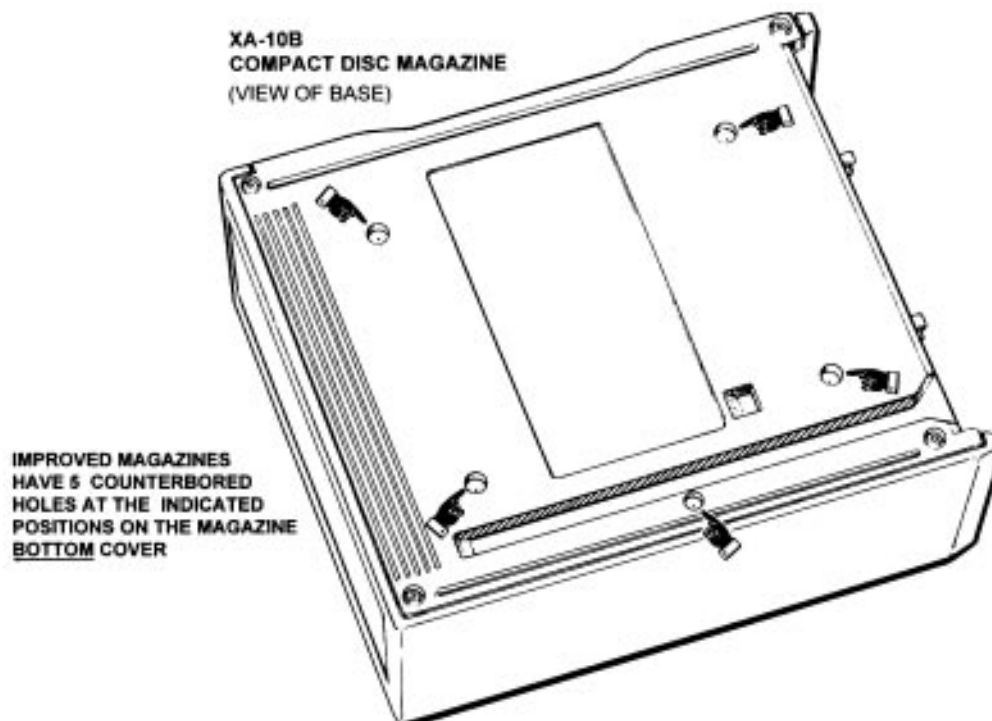
Symptom:

(62)

Certain discs may jam when being returned to the XA-10B magazine. This problem may cause error codes to appear on the controller's display, such as "E-99" or "RESET". The jamming may be caused by the rough edges found on some discs getting caught on the edge of a metal plate inside the magazine.

Solution:

If the customer's unit exhibits the above mentioned problems, replace the customer's XA-10B magazine with an improved type as shown below.



Filename: CAR0266.SB
Directory: J:\SBDOC\NOV94
Template: C:\WINWORD\S_BULL.DOT
Title:
Subject:
Author: Hoyt Wing Lee
Keywords:
Comments:
Creation Date: 12/02/94 9:43 AM
Revision Number: 2
Last Saved On: 12/02/94 9:43 AM
Last Saved By: Hoyt Wing Lee
Total Editing Time: 1 Minute
Last Printed On: 04/01/96 10:00 AM
As of Last Complete Printing
Number of Pages: 2
Number of Words: 150 (approx.)
Number of Characters: 857 (approx.)